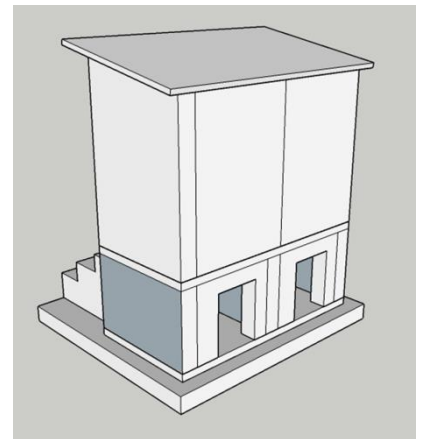
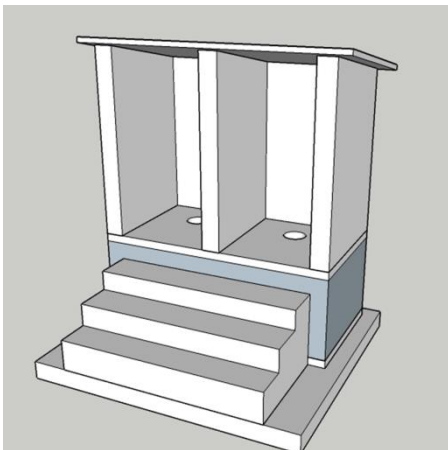
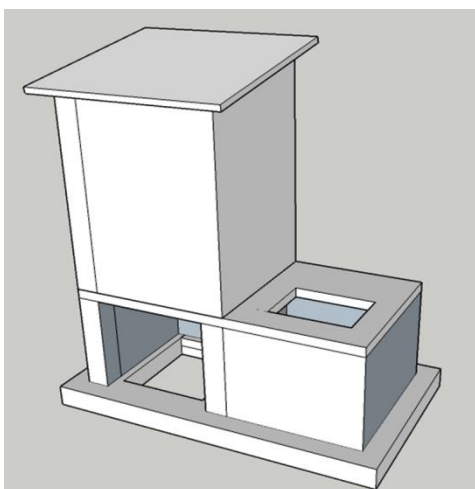


## COMPOSTING TOILETS

- **Compost from composting toilets. (Eco San)** Human waste is turned into compost in a 1m high vault under a latrine similar to a pit latrine, with access to the vault from the back. Wood ash is introduced every day to neutralize smell and absorb excessive moisture from urine. When the vault is full it is left for 6 months to decompose. It is retrieved from a door in the back. After the end product is harvested it is introduced in a thermic compost pile where it will be heat treated against pathogens.



- **Tiger worm toilet.** An elevated toilet is constructed with a P trap at the outlet which leads to a 1m<sup>3</sup> tank. The tank has no concrete in the bottom. A layer of quarry stone is placed in the bottom of the tank, followed by a layer of river sand, followed by a layer of tree bark. The human feces is flushed into the tank with 2 L of water. Tiger worms are introduced into the tank. They will consume the feces and multiply in the cavities among the bark. They keep the smell down, keep on reducing the volume of the feces, kill pathogens and produce a high quality organic fertilizer in the form of worm casts.



**Urine separating Toilet.** An elevated toilet is constructed with a urine separating seat on top of the slab. A urinal is also installed for men. Both the urine separating seat and the

urinal has plumbing leading to a 20L plastic barrel. The urine is collected in this barrel. From here it can be diluted 1 part of urine with 5 parts of water. This mixture can be poured at the base of plants as nitrogen and phosphorous rich fertilizer in liquid

